

KISTOCK DATALOGGER
HVAC range : KT110 / KH110

Temperature / Humidity / Light



Memory capacity	: 12000 - 16000	Resolution	: 1000 values /
Number of channels	: ~ 3	IP protection	IP 40
Alarms	()		
Alarms	2 setpoint alarms		

Part number	Temp	Humidity	Light	Resolution	Memory
KT-110-IN	Yes	No	0	12 000	, ,
KT-110-IO	Yes	1 line	0	12 000	
KT-110-AN	Yes	No	1	16 000	, ,
KT-110-AO	Yes	1 line	1	16 000	
KH-110-AN	Yes	No	0	16 000	, ,
KH-110-AO	Yes	1 line	0	16 000	

	KT110	KH110
Measurement range	°C, °F, mV, V, mA, A	°C, °F, %RH, °Ctd, Lux*, °Ftd
Resolution	0.1 °C, 0.1 °F, 0.001 V, 0.001 mA, 0.1 A	0.1 °C, 0.1 °F, 0.1%RH, 1 Lux*
External inputs	1 Jack connector 2.5 stereo	
Setpoint alarms	2 setpoint alarms	
Temperature range	-40 ~ +70	
Humidity range	-20 ~ +70	
Light range	-40 ~ +85	
Channels	5 **	

Dimensions: 98.7 x 67.8 x 34.7 mm

Weight: 113 g

Display: 1 LCD (45 x 17 mm)

Control
2 keys : Select and OK

Material: ABS
: Elastomer

IP 40

PC communication
1 digital input

Digital electronics
Lacquer protected circuit board
Meets RoHS standards

Battery: 3.6V 1/2 AA

Channels: 2 (,)

Environment
Air and neutral gases

*
** 20 15

KT110

• ()

	NTC
	-40 ~ +120 ()
	±0.3 °C (-25 °C < T < +70 °C) ±0.5 °C (beyond)

	NTC
	-40 ~ +70
	±0.4 °C (-20 °C < T < +70 °C) ±

• INPUT ()

	0/4-20 mA
	±0.2 % of the measurement ±1 µA

• INPUT ()

	0-10 V
	±0.2 % of the measurement ±1 mV

• AMMETER CLAMP (OPTIONAL)

	0-50 A / 0-100 A / 0-200 A / 0-600 A
	±1 to 2.5 % of the value displayed (according to measuring range)

See technical datasheet "Measuring probe and cable for class 110/210 kistock dataloggers"

()

KH110

• -

	Hygrometry	Temperature
	CMOS	
	5 ~ 95% RH	-20 ~ +70
	Accuracy** (Repeatability, linearity, hysteresis) : ±2%RH (from 15°C to 25°C) Factory calibration uncertainty : ±0,88 %RH Temperature dependence : ±0.04 x (T-20) %RH (if T<15°C or T>25°C)	-20 ~ 0 : 2% of displayed value ± 0.6 0 ~ 30 : 0.5 30 ~ 70 : 1.5 % of displayed value
(t _{0.63})	50 s (Vair = 2 m/s)	25 s (V = 2 m/s)

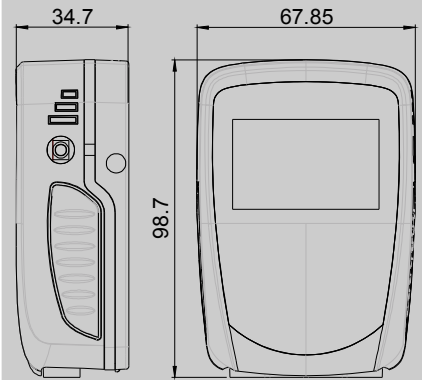
• LIGHT SENSOR

	Photodiode
	0 ~ 10000Lux
	±10 %

*All accuracies indicated in this document were stated in laboratory conditions and can be guaranteed for measurements carried out in the same conditions, or carried out with calibration compensation.

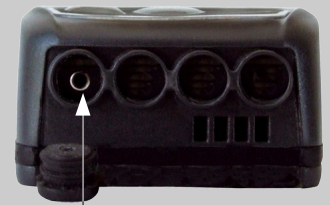
**As per NFX 15-113 standard and the charter 2000/2001 Hygrometers, GAL (Guaranteed Accuracy Limit) which has been calculated with a coverage factor value of 2 is ±2,88%RH between 18 and 28°C on the measuring range from 5 to 95%RH. Sensor drift is less than 1%RH/year.

DIMENSIONS (mm)



CONNECTIONS

External input (KT 110-A)



- Jack connectors (2.5)
Probes inputs for :
- NTC temperature
 - Current input cable
 - Voltage input cable
 - Ammeter clamp

PC connection input

- Jack connector (3.5)
Input for Kistock-PC software



5가

- "Immediate" ()
 - "Minimum", "Maximum" "Average"
 - "Monitoring" (, .)
 - setpoint
 - setpoint
- "loop " 가 .

dataset : 4가

-
-
- push button
- Online : PC

dataset : 6가

-
-
-
- FULL
-
- "OK": -

1 2 1.88.8.8 mV %RH °F °Ctd mA

MAX REC ACT END
MIN LOG TIME FULL

END DATASET
REC
LOG : : data set
FULL

ACT
TIME
MIN
MAX

1
2
FULL

:
° F :
% RH : (KH 110)
td : (KH 110)
V / mV : (KT 110)
A / mA : (KT 110)

: 80-90%
: 90-100%

: 가

: 5 (4 +)

bAt LED 가 ,
Err LED : -> "select " & "OK" RESET
Err LED : -> "select " & "OK" RESET

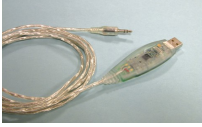


• Configuration and data processing software &

- Software.....Ref. KILOG-N
- USB interface.....Ref. I-KIC2
- Complete set : soft + 1 interface.....Ref. KIC2 KILOG



• KILOG CFR software
KILOG CFR 21CFR -Part 11
가 가



• KISTOCK-PC interface K
PC - KISTOCK() USB
Ref. I-KIC2

- Interface.....Ref. I-KIC2
- Complete set : KILOG 1CFR software + 1 interface.Ref. KIC2-CFR-N



Software is compatible with the former range of Kistock.



• KNT
KNT KISTOCK
, (500,000)
PC
Ref. KNT 300



• KNT
Ref. ITP



• ()
Ref. KAV-N



KISTOCK , : , 90

- NTC
PVC, 5m, (male & female)
Ref. KRC 5
- 25m 가

- Lace. Ref. KDC
- Lithium ½ AA battery. Ref. KBL

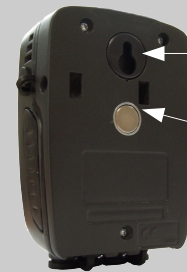
Calibration ()

KISTOCK calibration certificate ()

가

가

- ()
- ()



Wallmount and lace eyelet

Magnetic mounting

: 5 (*)

- 1.
- 2.
- 3.
- 4.

- "SELECT" & "OK" 2

* 15 (20)